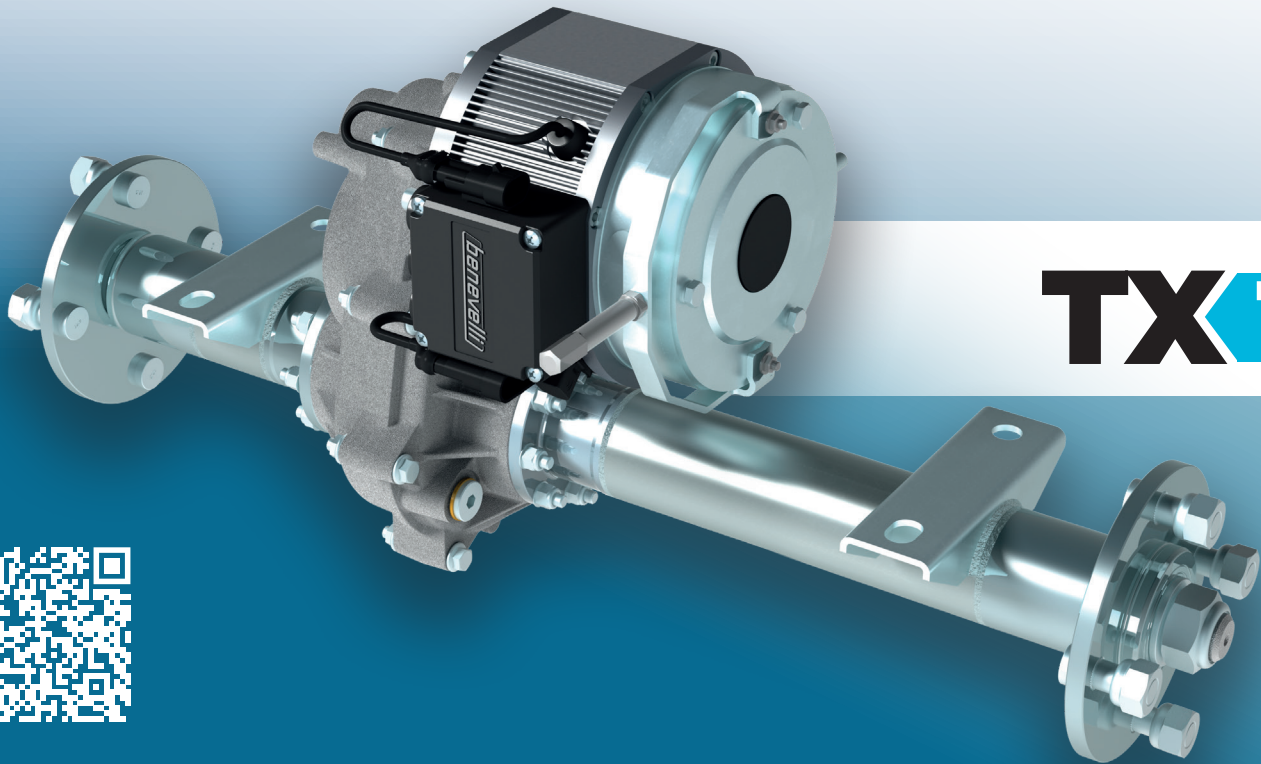




COMER INDUSTRIES CORPORATION



TX1 SERIE



SIMPLY POWERFUL e-TRANSAXLE

Driving the Future of Electric Vehicles. Now.

TX1 Serie is a ultra quite electric powertrain suitable for lighth- and medium-duty electric vehicles.

TX1 Serie has adjustable mounting widths and it's available with IPM or AC waterproof motors, it can be equipped with several options as differential lock and brakes.

Contact us in order to verify technical specs.

www.benevelli.it

SCALABLE DESIGN

HIGHLY EFFICIENT

LIGHTWEIGHT

MULTI ANGLE INSTALLATION

Power (peak) from **1,0** to **10**kW

Torque (peak) from **150** to **600**Nm

Voltage from **24** to **800**V

Gear Ratios from **1:6** to **1:32**

Track-Width from **400** to **1.380**mm