

## Powerful Solutions Partner

Micropower Group is a complete system supplier of industrial Lithium-Ion batteries, battery chargers and power supplies. With own production and R&D, we take responsibility for the whole chain where we develop, design and manufacture and supply battery and battery charging products and systems to customers and distributors worldwide.

DC/DC CONVERTER

# DC/DC CONVERTER WITH MINIMAL POWERLOSS

**MICROPOWER GROUP**<sup>TM</sup>  
POWERFUL SOLUTIONS PARTNER

Micropower Group AB  
Idavägen 1  
SE-352 46 Växjö, Sweden

Phone: +46 (0)470 727 400  
sales@micropower.se  
www.micropower-group.com

# CONVERTER WITH THE LATEST SWITCHING TECHNOLOGY

– with efficiency over 96%



## About the product

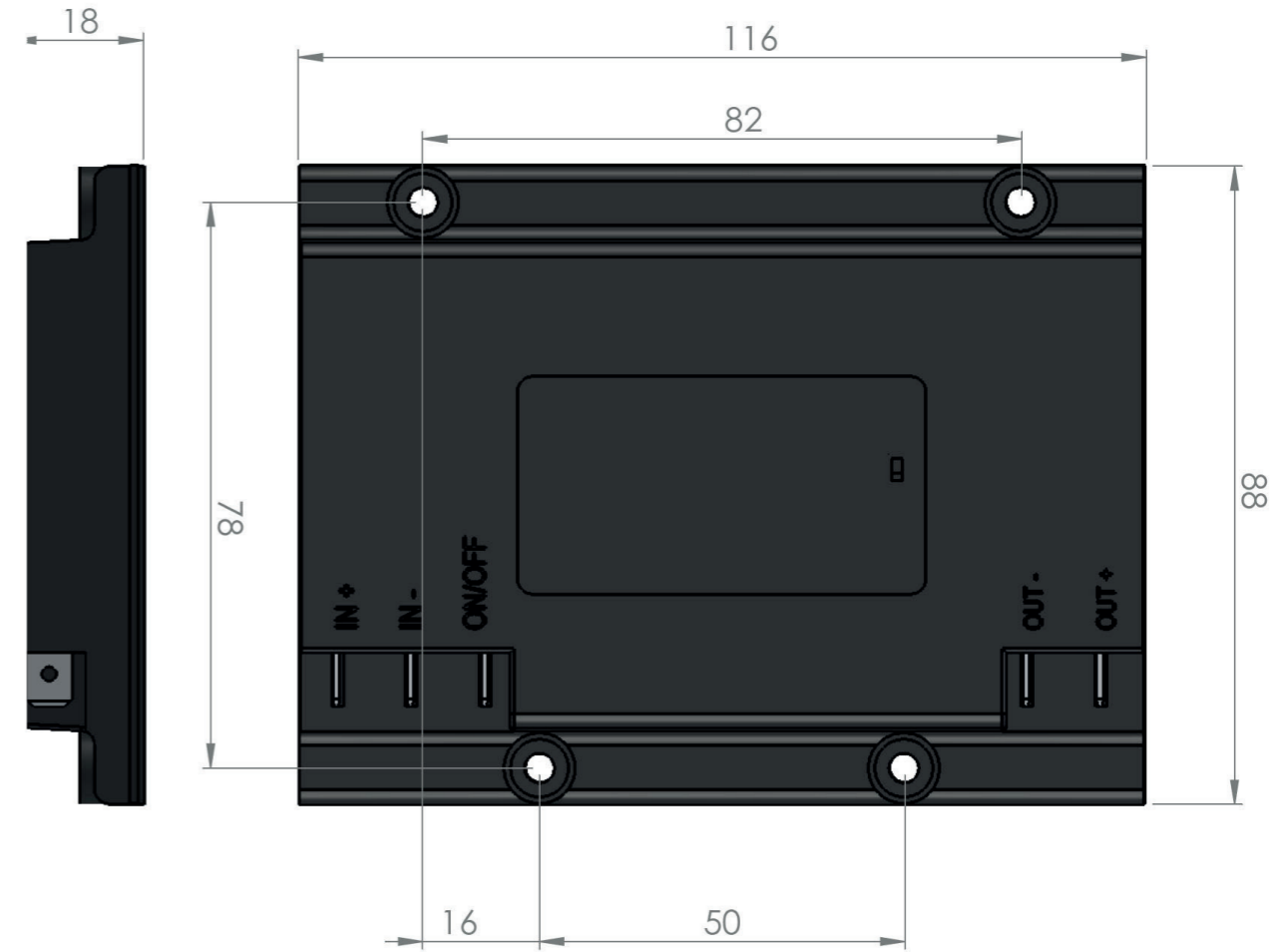
Micropower DC-DC converter is designed with the latest switching technology in DC to DC conversion. This brings an efficiency with over 96%. This brings a cooling product with minimal powerloss.

The internal electronics is protected against wrong polarization and short-circuit which prevents damage to the device by misuse.

The standard enclosure is IP 21 with protective coating on the electronics.

All models have an ON/OFF function for remote use.

- Wide range of models
- High efficiency >96%
- Overheating protection
- Polarity protection
- Current limited
- Short-circuit protection
- Safe to use
- Easy to install
- Small and compact
- User friendly
- DIN mount (optional)
- Galvanic isolated



## Specification and models

Model	12-12	12-12	12/24-24	24-12	24-24	12/24-24	48-12	48-24
Article	60300	60310	60316	60312	60304	60317	60332	60333
Input	9-18V	9-18V	9-36V	18-36V	18-36V	9-36V	33-65V	33-65V
Output	12V	12V	24V	12V	12V	24V	12V	12V
Power	100W	200W	200W	200W	200W	200W	200W	200W
Enclosure	IP21	IP21	IP21	IP21	IP21	IP21	IP21	IP21
Connections	6,3 mm Faston	6,3 mm Faston	6,3 mm Faston	6,3 mm Faston	6,3 mm Faston	6,3 mm Faston	6,3 mm Faston	6,3 mm Faston
Weight	200g	215g	215g	215g	215g	215g	215g	215g
Measures LxWxH	115x88x9	115x88x9	115x88x9	115x88x9	115x88x9	115x88x9	115x88x9	115x88x9

All models have an efficiency of >96% and ON/OFF function.